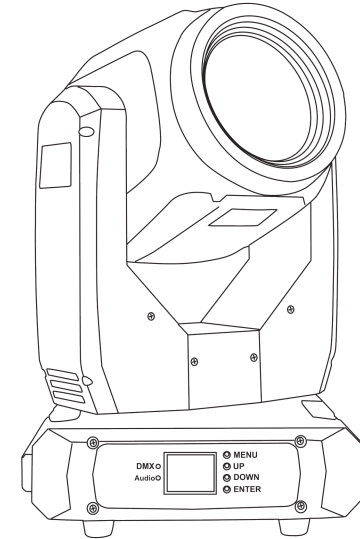


| | | |
|--|---------|-------------------------------|
| | 68~71 | Gobo17 |
| | 72~113 | Rotate forward (Fast -- slow) |
| | 114~117 | stop (white) |
| | 118~159 | Rotate reverse (Slow -- fast) |
| | 160~166 | Gobo2, shaking slow to fast |
| | 167~172 | Gobo3, shaking slow to fast |
| | 173~179 | Gobo4, shaking slow to fast |
| | 180~185 | Gobo5, shaking slow to fast |
| | 186~191 | Gobo6, shaking slow to fast |
| | 192~198 | Gobo7, shaking slow to fast |
| | 199~204 | Gobo8, shaking slow to fast |
| | 205~211 | Gobo9, shaking slow to fast |
| | 212~217 | Gobo10, shaking slow to fast |
| | 218~223 | Gobo11, shaking slow to fast |
| | 223~230 | Gobo12, shaking slow to fast |
| | 231~236 | Gobo13, shaking slow to fast |
| | 237~243 | Gobo14, shaking slow to fast |
| | 243~249 | Gobo15, shaking slow to fast |
| | 250~255 | Gobo16, shaking slow to fast |

10R BEAM MOVE HEAD LIGHT



JIA-J514
10R

JIA LIGHTING

Please read over this manual before operation the light

CONTENTS

- Chapter 1 Installation and attention.....3
 - 1.1 Maintenance.....3
 - 1.2 Statement.....3
 - 1.3 Safety Precaution.....3
 - 1.4 Product Instruction.....4
 - 1.5 Cable connection (DMX)5
 - 1.6 Rigging (Optional).....6
- Chapter 2 Panel operation.....8
 - 2.1 Brief.....8
 - 2.2 Operation.....9
 - 2.2.1 Operate light with touch or encoder button.....9
 - 2.2.2.Parameter value setting.....9
 - 2.2.3 Boolean parameter setting.....10
 - 2.2.4 Sub Menu (Parameter)10
 - 2.3 Operation and parameter instruction.....11
 - 2.3.1 ADDR--> Address: Set DMX Address.....12
 - 2.3.2 MODE--> WorkMode: Set Light work mode.....12
 - 2.3.3 DISP-->DISPLAY: Set display.....11
 - 2.3.4 TEST--> TestMode.....10
 - 2.3.5 ADVA-->Advanced: Set light run parameter.....9
 - 2.3.6 STAT-->Status: View status.....7
- Chapter 3 Channel description.....6
 - 3.1 Channel table.....6
 - 3.2 Channel Detail.....4
 - 3.2.1 COLOR.....4
 - 3.2.2 GOBO.....2

3.2.2 GOBO

| CH NO. | NAME | VALUE | FUNCTION |
|--------|--------|-------|----------|
| CH4 | GOBO | 0~3 | WHITE |
| | | 4~7 | Gobo1 |
| | | 8~11 | Gobo2 |
| | | 12~15 | Gobo3 |
| | | 16~19 | Gobo4 |
| | | 20~23 | Gobo5 |
| | | 24~27 | Gobo6 |
| | | 28~31 | Gobo7 |
| | | 32~35 | Gobo8 |
| | | 36~39 | Gobo9 |
| | | 40~43 | Gobo10 |
| | | 44~47 | Gobo11 |
| | | 48~51 | Gobo12 |
| | | 52~55 | Gobo13 |
| | | 56~59 | Gobo14 |
| | | 60~63 | Gobo15 |
| 64~67 | Gobo16 | | |

| | | |
|--|---------|-------------------------------|
| | 69-72 | COLOR8 |
| | 73-76 | COLOR8 + COLOR9 |
| | 77-81 | COLOR9 |
| | 82-85 | COLOR9 + COLOR10 |
| | 86-89 | COLOR10 |
| | 90-93 | COLOR10 + COLOR11 |
| | 94-98 | COLOR11 |
| | 99-102 | COLOR11 + COLOR12 |
| | 103-106 | COLOR12 |
| | 107-110 | COLOR12 + COLOR13 |
| | 111-115 | COLOR13 |
| | 116-119 | COLOR13 + COLOR14 |
| | 120-123 | COLOR14 |
| | 124-127 | COLOR14 + WHITE |
| | 128-255 | Rotate forward (Fast -- slow) |

Chapter 1 Installation and attention

1.1 Maintenance

- To reduce the risk of electrical shock or fire, do not expose this unit to rain or moisture.
- Intermittently using will extend this item's service life.
- Please clear the fan ,fan net , and optical lens in order to keep good work state. Do not use the alcohol or any other organic solvent to wipe the shell.

1.2 Statement

The product has perfect performance and integrity packing. All users should be strictly complying with the warning and operating instructions as stated. Or we aren't in charge of any result by misusing. Any damage resulting by misuse is not within the Company's warranty. Any fault or problem caused by neglecting the manual is also not in the charge of dealers.

Note: All information is subject to change without prior notice.

1.3 Safety Precaution

- In order to guarantee the product's life, please don't put it in the damp places or even the environment over 60degrees.
- Always mount this unit in safe and stable matter.
- Install or dismantle should operate by professional engineer.
- Using lamp, the change rate of power voltage should be within±10%, If the voltage is too high, it will shorten the light's life; If it's not enough, will influence the effect.

- Please restart it 20 minutes later after turning off light , until full-cooling. Frequent switching will reduce the life span of lamps and bulbs; intermittent using will improve the life of bulbs and lamps.
In order to make sure the product is used well, please read the Manual carefully.

1.4 Product Instruction

- lamp: Philips MSD Platinum 10R or pheonix lamp (life:2200 hours Color temperature: 8000K)
- Channel mode:20 DMX512 Channel
- Pan scan: 540°(16bit) Electric correction
- Tilt scan: 270° (16bit) Electric correction
- Amazing dot matix, four tact switch, 180° turning show
- Color wheel: one color wheel, 13kinds of color chips in one color wheel
- Gobo: 13 gobos
- Effect Wheel: eight prism,+Rotation
- 0-100% mechanical dimming, mechanical dimming and free dimming available.
- strobe macro control available.
- Lens optical system achanical fouce .beam angle 0~4°
- Over heat protection
- Power Input: 100-240V, 50/60Hz
- Power Dissipation: 350W
- IP level :IP20
- Magnetic ballast and AC/Dc power supply

3.2 Channel Detail

3.2.1 COLOR

| CH NO. | NAME | VALUE | FUNCTION |
|--------|-----------------|-------|-----------------|
| CH1 | COLOR | 0-4 | WHITE |
| | | 5-8 | WHITE+COLOR1 |
| | | 9-12 | COLOR1 |
| | | 13-17 | COLOR1 + COLOR2 |
| | | 18-21 | COLOR2 |
| | | 22-25 | COLOR2 + COLOR3 |
| | | 26-29 | COLOR3 |
| | | 30-34 | COLOR3 + COLOR4 |
| | | 35-38 | COLOR4 |
| | | 39-42 | COLOR4 + COLOR5 |
| | | 43-46 | COLOR5 |
| | | 47-51 | COLOR5 + COLOR6 |
| | | 52-55 | COLOR6 |
| | | 56-59 | COLOR6 + COLOR7 |
| 60-63 | COLOR7 | | |
| 64-68 | COLOR7 + COLOR8 | | |

| | | | | |
|----------------|------|-------------|---------|---|
| | CH7 | NULL | | vacant |
| | CH8 | NULL | | vacant |
| | CH9 | FOUSE | 000-255 | FOUSE (far to near) |
| | CH10 | PAN | 000-255 | 0°~540° |
| | CH11 | PAN FINE | 000-255 | Fine adjustment horizontal position |
| | CH12 | TILT | 000-255 | 0°~270° |
| | CH13 | TILT FINE | 000-255 | Fine-tuning vertical position |
| | CH14 | | 0-10 | none |
| | | | 11-255 | X/Y Back and forth automatic scanning (Slow - fast) |
| | CH15 | RESET | 0°~127 | none |
| | | | 128~255 | Reset light (stay over 3 second) |
| | CH16 | LAMP | 0°~25 | none |
| | | | 26~100 | Turn off lamp (stay over 3 second) |
| | | | 101~255 | Turn on lamp (stay over 3 second) |
| Extend 20CH | CH17 | P/T SPEED | 0°~255 | PAN & TILT SCAN SPEED FAST TO SLOW |
| | CH18 | COLOR SPEED | 0°~255 | COLOR SPEED FAST TO SLOW |
| | CH19 | FOCUS SPEED | 0°~255 | FOCUS SPEED FAST TO SLOW |
| | CH20 | GOBO SPEED | 0°~255 | GOBO SPEED FAST TO SLOW |

- Product Size: 30×25×48cm
- Packing Size: 69*36*68cm
- Net weight: 12.5KG

1.5 Cable connection (DMX)

Use a cable conforming to specifications EIA RS-485: 2-pole twisted, shielded, 120Ω characteristic impedance, 22-24 AWG, low capacity. Do not use microphone cable or other cable with characteristics differing from those specified. The end connections must be made using XLR type 3 or 5-pin male/female connectors. A terminating plug must be inserted into the last projector with a resistance of 120Ω (minimum 1/4W) between terminals 2 and 3.

IMPORTANT: The wires must not make contact with each other or with the metal casing of the connectors. The casing itself must be connected to the shield braid and to pin 1 of the connectors.

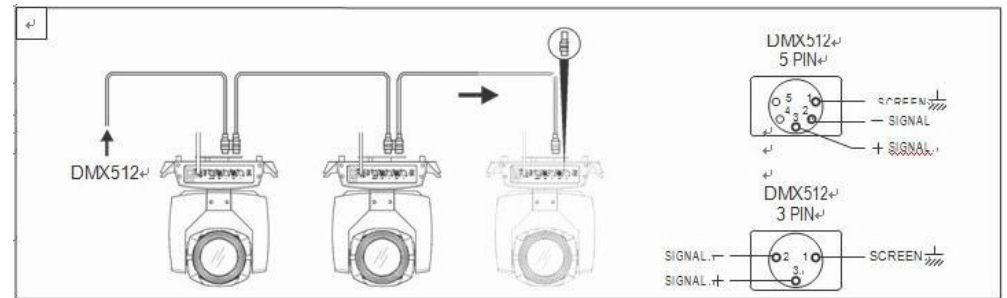


Figure 1 DMX Cable connection

1.6 Rigging (Optional)

This equipment can be positioned and fixed by clamp in every direction of the stage.

Locking system makes it easy to fasten to the bracket.

Attention! Two clamps is needed to fix the equipment. Every clamp is locked by fastener of 1/4 kind. Fastener can only be locked clockwise.

Attention! Fasten a safety string to the additional hole of side aluminum piece. The secondary accessory can not hang on the delivery handle. Nip the equipment on bracket.

- Check if rigging clamp (not including the one inside) damaged or not? If stand ten times weight as the equipment. Make sure the architecture can stand ten times weight as all the equipments, clamps, wirings and other additional fixtures.
- Screws for clamping must be fixed firmly. Take one M12 screw (Grade 8.8 or higher) to clamp bracket, and then screw the nuts.
- Level the two hanging points at the bottom of clamp. Insert fastener to the bottom, lock the two levers by 1/4 rotating clockwise; then install another clamp.
- Install on safety string which stands at least ten times weight as equipment. Terminal of the accessory is designed for clamps.
- Make sure pan/tilt lock unlocked or not. Keep the distance more than 1M from equipment to flammable material or lighting source.

Chapter 3 Channel description

3.1 Channel table

Light support 2 DMX mode: 16ch (Sample) and 20ch (extend), as shown in:

| MODE | CH | NAME | Value | BRIEF |
|----------------|-----|-----------------|-------------------------------|---|
| Sample 16CH | CH1 | COLOR | | Select color or mode--(See details: 4-2. COLOR) |
| | CH2 | STROBE | 0~3 | Dark |
| | | | 4~103 | Strobe from slow to fast |
| | | | 104~107 | White |
| | | | 108~207 | Pulse strobe from slow to fast |
| | | | 208~212 | White |
| | | | 213~251 | Random strobe from slow to fast |
| | | 252~255 | White | |
| | CH3 | DIMMING | 000-255 | dimming 0~100% |
| | CH4 | GOBO | | Select gobo--(See details: 4-3. GOBO) |
| | CH5 | PRISM | 0~127 | White |
| | | | 128-191 | Eight prism |
| | | | 192-255 | prism+ Rainbow |
| | CH6 | ROTATE PRISM | 0~127 | Angle 0-400 |
| 128~190 | | | Rotate reverse (Slow -- fast) | |
| 191~192 | | | Stop | |
| 193~255 | | | Rotate forward (Slow -- fast) | |

2.3.6 STAT-->Status: View status

Enter the page as shown in Figure 2

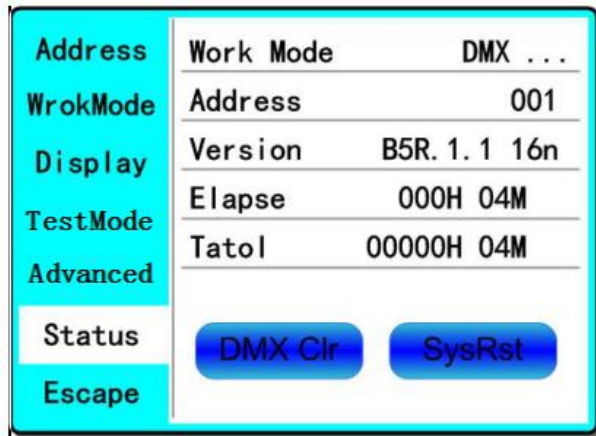


Figure 2 page of status

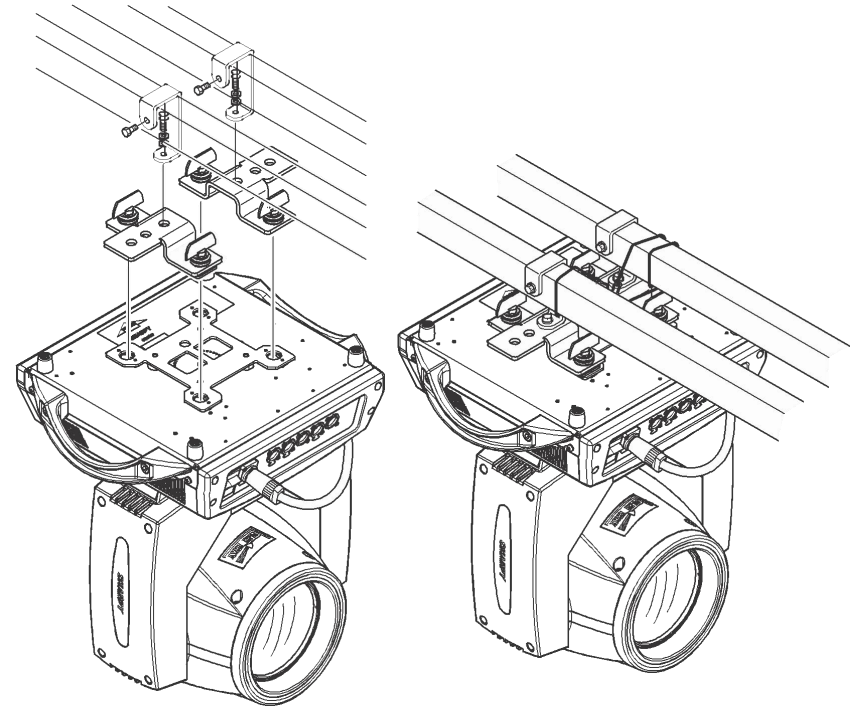


Figure 3 Installation

- ◆ **Work Mode:** Show the current working mode.
 - ◆ **Address:** Show the current address.
 - ◆ **Version:** Show the version of the lamp.
 - ◆ **Elapse:** Working hours after turn on.
 - ◆ **Tatol:** Cumulative hours of operation

When <Data hold> set <ON>,click to clear DMX data, and make the lamp return to themiddle position.

Click to reset.

Chapter 2 Panel operation

2.1 Brief

The light panel diagram show as Figure 4, Left area is TFT Displayer, support touch, and right area is KEY, both of touch and KEY can operate light and setting.

Display & operation just like 'Android operation system', touch the item will set or modify setting.

Note: Prevent damage the touch or TFT displayer, Can not use sharp objects chick displayer.



Figure 4 Panel diagram

- ◆ **Pan Invert: Reverse PAN move**
OFF--> Pan Normal move.(Default)
ON--> Reverse PAN move.
- ◆ **Tilt Invert: Reverse TILT move**
OFF--> Tilt Normal move.(Default)
ON--> Reverse Tilt move.
- ◆ **P/T Rectify: Disable or enable position rectify function.**
OFF--> Disable P/T rectify
ON--> Enable P/T rectify-(Default)
- ◆ **Pan Offset:** Set PAN original position. **Default: 10**
- ◆ **Tilt Offset:** Set TILT original position. **Default: 10**
- ◆ **Lamp when:**
PowerON--> Turn on the lamp when power on.(Default)
RstDone--> Turn on the lamp after reset.
Manual--> Manually turn on the lamp.
- ◆ **Data hold:**
OFF--> When no DMX signal,return to middle position.(Default)
ON--> When no DMX signal,stop in the final position.
- ◆ **Factory Setting:** Restore all parameter to factory setting.

- ◆ **PAN:** range for 0 to 255;
- ◆ **TILT:** range for 0 to 255;
- ◆ **FOCUS:** range for 0 to 255;
- ◆ **COLOR:** range for 0 to 255;
- ◆ **GOBO:** range for 0 to 255;
- ◆ **PRISM:** range for 0 to 255;
- ◆ **FROST:** range for 0 to 255;;
- ◆ **STROBE:** range for 0 to 255;

2.3.5 ADVA-->Advanced: Set light run parameter

Enter the page as shown in Figure 8, set the parameter of light:

| | | |
|----------|-----------------|----------|
| Address | PAN Inset | OFF |
| WorkMode | TILT Inset | OFF |
| Display | P/T Rectify | ON |
| TestMode | PAN Offset | 010 |
| Advanced | TILT Offset | 010 |
| Status | Lamp when | Power ON |
| Escape | Data hold | OFF |
| | Factory Setting | |

Figure 5 page of run parameter

2.2 Operation

2.2.1 Operate light with touch or KEY

- The left area is TFT Displayer and touch, click item or value with finger will to complete operation of set light setting(parameters) or view light state.
- The area on the right hand side is 4 KEY, As auxiliary input interface, if disable touch function,, the KEYr can be choose to set the parameter.

2.2.2 Parameter value setting

When the selected item is value need to been modified, the dialog shown in Figure 6 will popup.

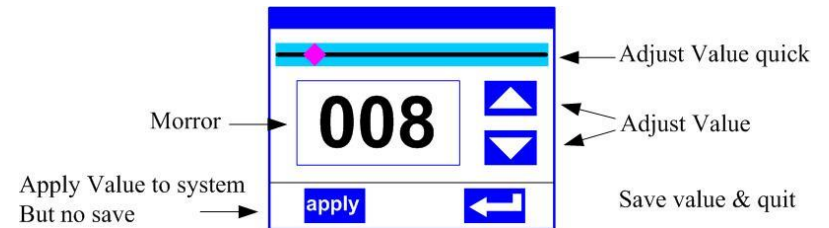


Figure 6 Dialog of value setting

- **Modify value:** Can quickly modify value via pull the slider to the desired position, or click the button of 'up' or 'down' with finger on the right side to set the exact desired value, another way is roll encoder on the right hand side of panel.

- **Apply value:** When Value had been modified, Then press the bottom of 'apply' in the left corner to apply to the light, but hav't saved;
- **Save Value :** Any time, click on the lower right corner of the "OK" button, the setting will been saved into internal memory.

2.2.3 Boolean parameter setting

- when the selected parameters is a Boolean value (such as ON or OFF), can directly modify setting by chick corresponding item, the setting will been saved right now.
- When the parameter is a key item, chick corresponding item, a dialog shown in Figure 7 will been popup ask for the confirm. Chick 'sure' to confirm.

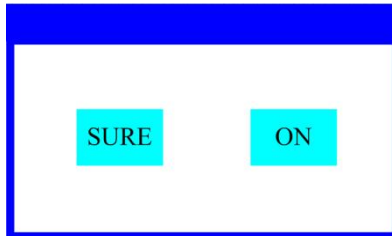


Figure 7 Dialog of confirm

2.2.4 Sub Menu (Parameter)

Chick item of main menu, enter corresponding sub menu, shown in Figure 10, total 6 sub menu, includes class of parameter and status:

- **ADDRESS:** Set light DMX address.
- **WORKMOD:** Set light work mode, master or slave mode when in auto run mode.
- **DISPLAY:** Set display parameter, eg. select language.
- **TEST :** Used for test light, modify DMX channel data to test function , the corresponding function of reference channel function table.

- ◆ **Screen Rotion: To turning display.**
ON--> Normal display.(Default)
OFF--> 180° turning display.
- ◆ **Touch enable:** Disable or enable touch function.,
ON--> Enable touch function.(Default)
OFF--> Dosable touch function.
- ◆ **Touch adjust:** Adjust touch function. Normally, not enter this item.

2.3.4 TEST--> TestMode

Enter the page as shown in Figure 8, Light will into test mode, in this mode, the light does not receive the data for DMX controller.:

| | | |
|-----------------|--------|-----|
| Address | PAN | 000 |
| WorkMode | TILT | 000 |
| Display | FOCUS | 000 |
| TestMode | COLOR | 000 |
| | GOBO | 000 |
| Advanced | PRISM | 000 |
| Status | FROST | 000 |
| Escape | STROBE | 000 |

Figure 8 page of Test

Channel Qty: Light support 2 DMX Channel mode: sample or extend。
 Simple --> 16CH.(Default)
 Expand--> 20CH(or null).

2.3.3 DISP-->DISPLAY: Set display

Light support 2 language, rotation display , Enter page as shown in Figure9 to set parameter following:

| | | |
|----------|-----------------|---------|
| Address | 语言 | English |
| WorkMode | Screen saver | Mode3 |
| Display | Screen rotation | OFF |
| TestMode | Touch Enable | ON |
| Advanced | Touch Rectify | |
| Status | | |
| Escape | | |

Figure9 page of display

Language: English / 中文.

◆ **Screen Saver:** when panel is idle(these is no operation in 10 second), displayer will enter saver status.

OFF--> No screen saver.

Mode1--> Power-saving mode, turn off the display.

Mode2--> Displays the current address.

Mode3--> Displays the icon and the current working mode.(Default)

- ADVANCE: Set light running parameter.
- STATUS: view light current status.



Figure 10 Parameter menu

2.3 Operation and parameter instruction

Via following operation, enter sub menu(parameter menu) shown in Figure 10

- In main menu, chick 1/6 function button into corresponding parameter menu.
- In sub menu(page), chick main item on the left side of displayer, can shift to corresponding sub menu(page) quickly.

2.3.1 ADDR--> Address: Set DMX Address

Click and select the "ADDR", can enter the page of DMX address setting, range from 1 to 512, the address code shouldn't is not greater than (512- channels quantity), otherwise the light will not been controlled. Following is the operation:

Enter the page of DMX address, as shown in Figure 11, click the blank area in right side of display will pop-up diglog as in Fig. 4, modify value, then click 'ENTER' to confirm and save DMX address code.

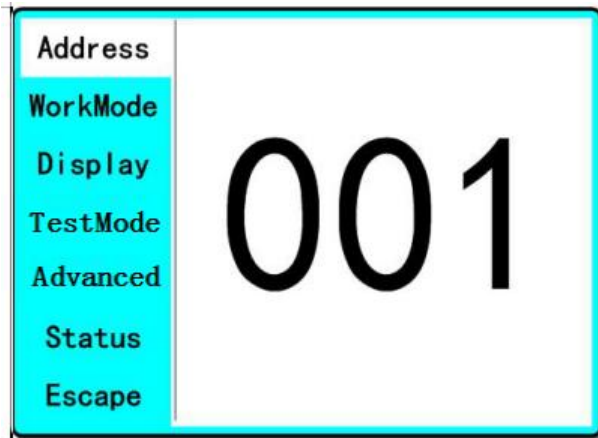


Figure 11 page of DMX Address

2.3.2 MODE--> WorkMode: Set Light work mode

Enter the page of 'WorkMode' as shown in Figure 12 and modify setting. Can set light work mode, control lamp and DMX channel mode.



Figure 12 page of work mode

DMX Ctrl: Choose to set DMX Mode,

◆ **Auto Run:** Choose to set Auto Mode,

◆ **Sound Ctrl:** Choose to set Sound Mode,

◆ **M/S Choose:** Available just in 'AUTO RUN' or 'SOUND Ctrl' mode.

ON--> Master. (Data will be send to other slave lamp immediately.)

OFF--> Slaver.(NOT send data to other lamp via DMX Cable).(Default)

◆ **Light Switch:**

ON--> Turn on the light,

OFF--> Turn off the light.