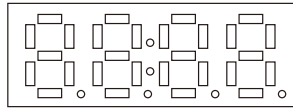
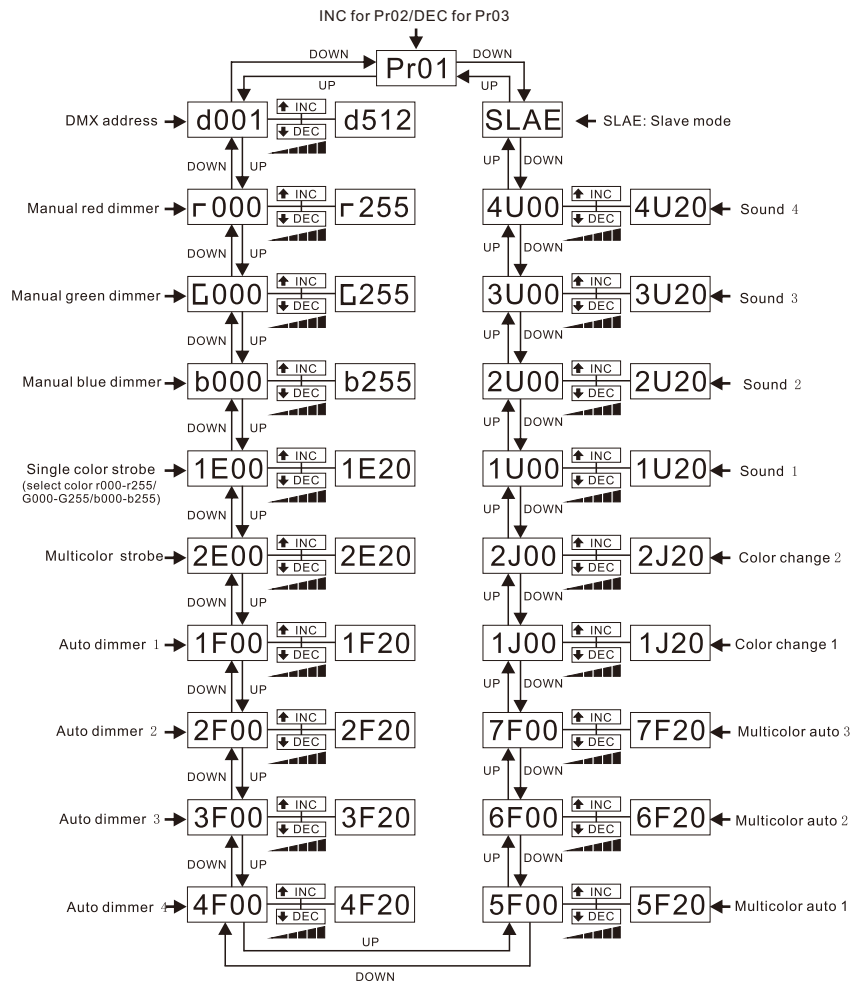


Notice: "LOOP MAXIMUM 4 LIGHTS"

Please read this manual carefully before operating the LED light.



LED DISPLAY FUNCTIONS



DMX VALUES AND FUNCTIONS

Pr01

Channel	Values	Functions
1	0-255	manual red dimmer 0-100%
2	0-255	manual green dimmer 0-100%
3	0-255	manual blue dimmer 0-100%
4	0-255	0-27 no function 28-55 single color strobe (channel 1/2/3 control the color, channel 6 control the speed) 56-83 multicolor strobe (channel 1/2/3 on top value, channel 6 control the speed) 84-255 choose the color
5	0-255	1-90 single color dimmer 91-103 auto dimmer 1 104-116 auto dimmer 2 117-129 auto dimmer 3 130-142 auto dimmer 4 143-155 color change 1 156-168 color change 2 169-181 multicolor auto 1 182-194 multicolor auto2 195-207 multicolor auto3 208-220 sound1 221-233 sound2 234-246 sound3 247-255 sound4 (channel 2-4 will not work in this mode. Channel 7 control the speed)
6	0-255	Control the speed
7	0-255	Master dimmer

DMX VALUES AND FUNCTIONS(DMX 3CH)

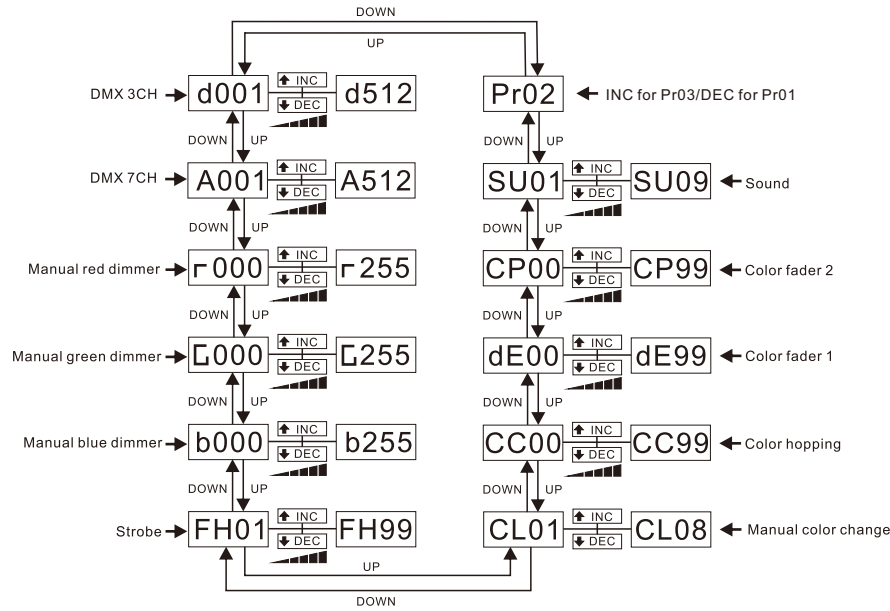
Pr02

Channel	Values	Functions
1	0-255	manual red dimmer 0-100%
2	0-255	manual green dimmer 0-100%
3	0-255	manual blue dimmer 0-100%

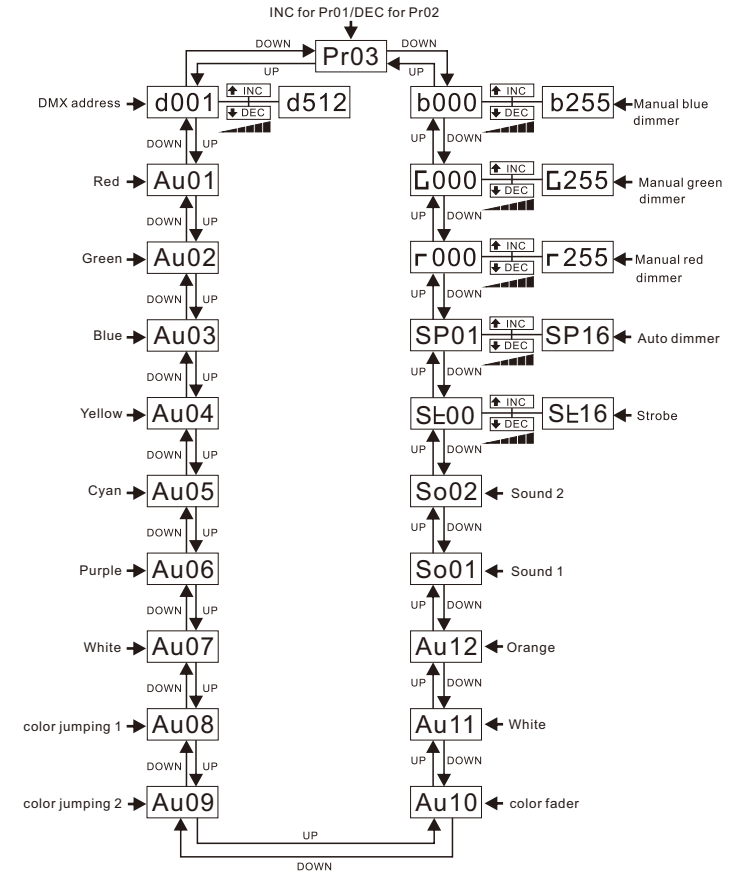
SPECIFICATIONS

- Rate Voltage: AC100V-240V 50Hz-60Hz
- Rate Power: 360 W
- Lamp: Super bright, 3 in 1 LED Lamps
- Quantity of Lamp: 60pcs
- N.W.: 3.5 kg

● LED DISPLAY FUNCTIONS



● LED DISPLAY FUNCTIONS



● DMX VALUES AND FUNCTIONS(DMX 7CH)

Pr02

Channel	Values	Functions
1	0-255	master dimmer 0-100%
2	0-255	manual red dimmer 0-100%
3	0-255	manual green dimmer 0-100%
4	0-255	manual blue dimmer 0-100%
5	0-255	0-4 no function 5-255 strobe speed
6	0-255	A. 0-50 no function B. 51-100 color option C. 101-150 color hopping D. 151-200 color fader1 E. 201-250 color fader2 F. 251-255 sound
7	0-255	function for CH6 "B": 0-31 red, 32-63 green, 64-95 blue, 95-127 white 128-159 yellow, 160-191 UV, 192-223 cyan 224-255 white function for CH6 "C.D.E" function for CH6 "F": 0-28 red, 29-56 green, 57-84 blue, 85-113 white 114-141 yellow, 142-169 UV, 170-198 cyan 199-226 white, 227-254 yellow, 255 hopping

● DMX VALUES AND FUNCTIONS(DMX 6CH)

Pr03

Channel	Values	Functions
1	0-255	master dimmer 0-100%
2	0-255	manual red dimmer 0-100%
3	0-255	manual green dimmer 0-100%
4	0-255	manual blue dimmer 0-100%
5	0-255	strobe speed
6	0-255	1-19 red 20-39 green 40-59 blue 60-79 yellow 80-99 cyan 100-119 purple 120-127 white 128-169 color jumping 1 170-210 color jumping 2 211-255 color fader